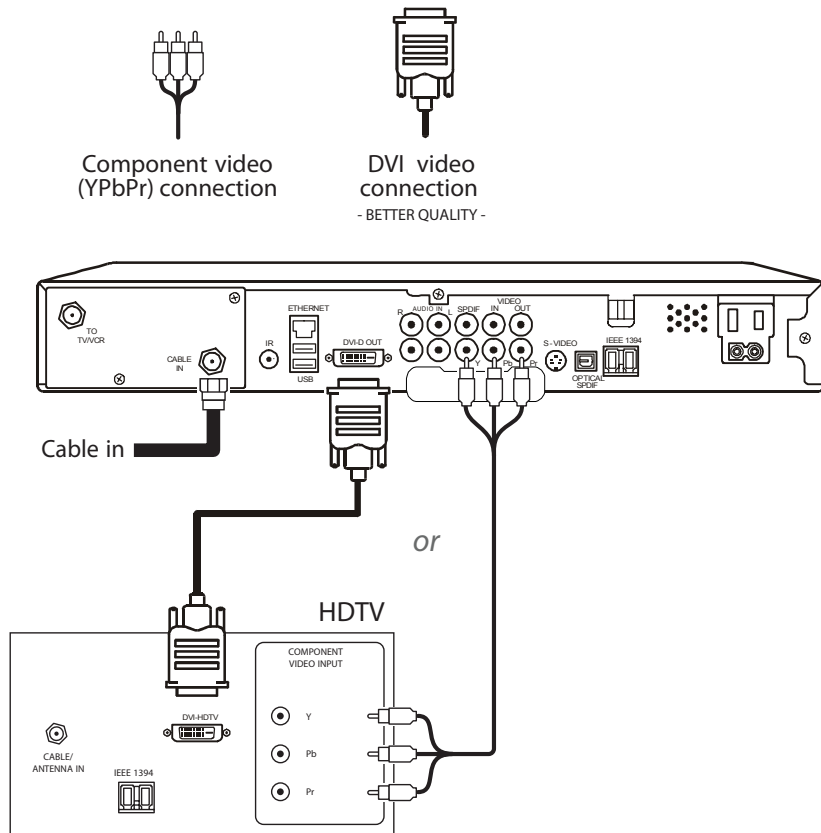


Motorola DCT series with DVI

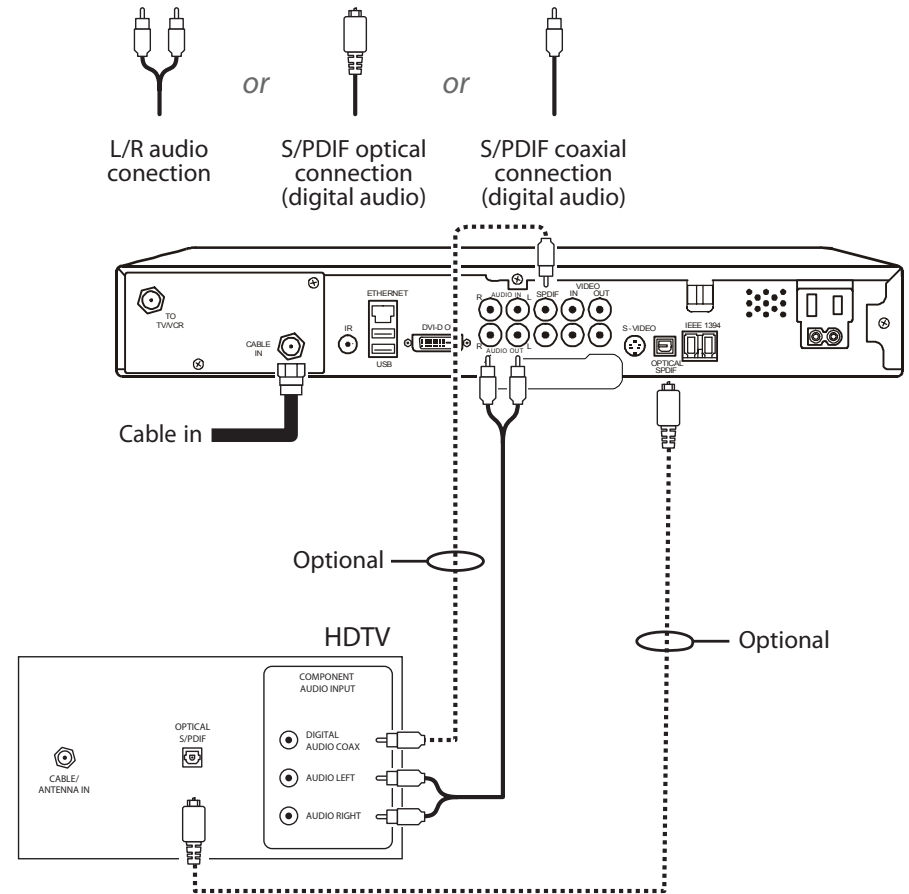
Connecting Your Cable Receiver to an HDTV — **Video**

Note: Only (1) HDTV video connection needs to be made to an HDTV.



Connecting Your Cable Receiver to an HDTV — **Audio**

Note: Only (1) audio connection needs to be made to an HDTV.



If your TV does not have digital audio inputs:

- Connect the stereo audio cable to the **AUDIO L** and **R** connectors on the cable receiver and the audio left and audio right connectors on the HDTV.



http://michigan.brighthouse.com/customer_care/product_assistance
1-866-898-9101