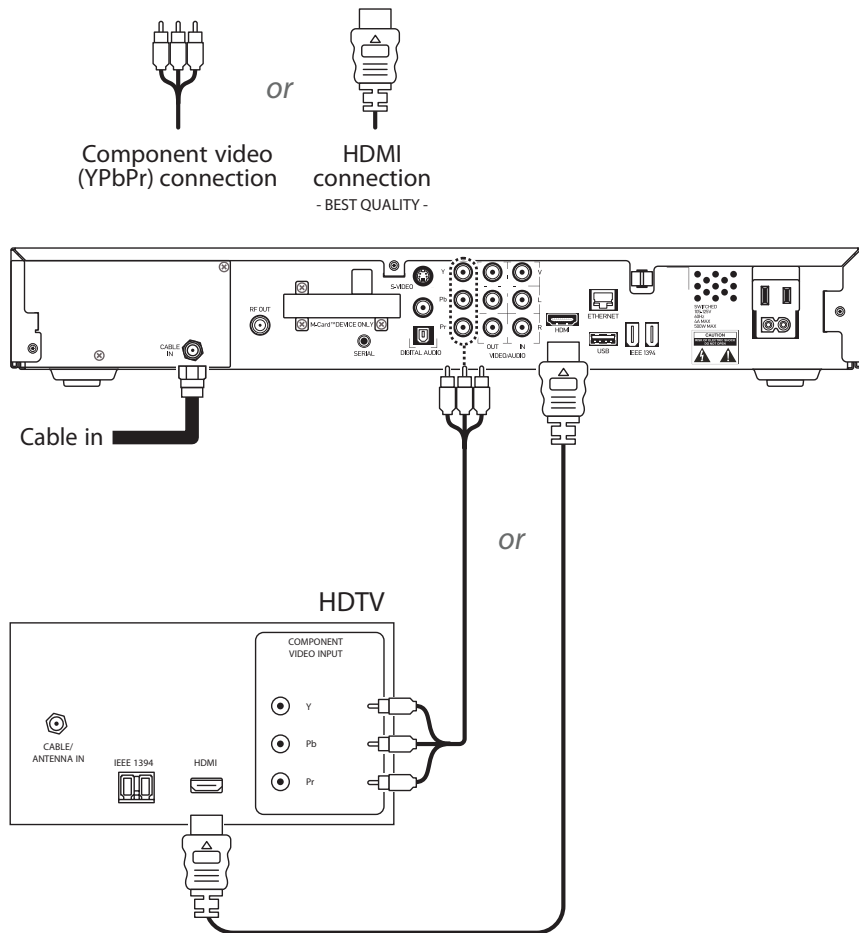


Motorola DCH and DCX series with HDMI

Connecting Your Cable Receiver to an HDTV — **Video**

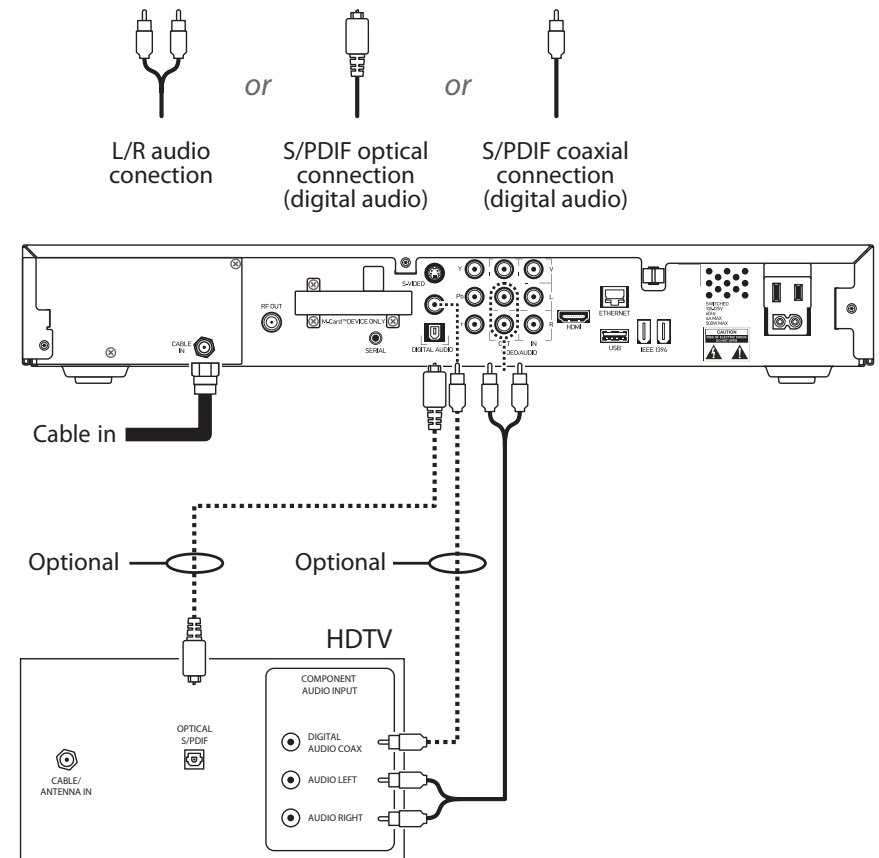
Note: Only (1) HDTV video connection needs to be made to an HDTV.



Connecting Your Cable Receiver to an HDTV — **Audio**

Note: Only (1) audio connection needs to be made to an HDTV.

No audio connections are required if you use the HDMI video connection.



If your TV does not have digital audio inputs:

- Connect the stereo audio cable to the **AUDIO L** and **R** connectors on the cable receiver and the audio left and audio right connectors on the HDTV.



http://michigan.brighthouse.com/customer_care/product_assistance
1-866-898-9101